

# Model: EVS 180

## Data

---

Type: Ceiling unit coolers

Producer: ECO

Series: EVS

## Model: EVS 180

### Evaporator technical data

Air flow [m <sup>3</sup> /h]:	870
Air throw [m]:	4,5
Heat exchange surface (int./ext.) [m <sup>2</sup> ]:	0,5/5,3
Inner volume [dm <sup>3</sup> ]:	1,07
Fin spacing [mm]:	7/3,5
Weight [kg]:	11,1

### Fans technical data

Count:	3
Diameter [mm]:	200
RPM [min <sup>-1</sup> ]:	
Power input [W]:	159
Current [A]:	1,05
Power supply [V/f/Hz]:	230V/1/50Hz

### Defrost

Electric [W]:	1080
Power supply [V/f/Hz]:	230V/1/50Hz

### Connections

	<u>milimeters</u>	<u>inches</u>
Inlet:	12	1/2" SAE
Outlet:	16	5/8"
Drain:	12	1/2"

# Model: EVS 180

## Capacity

---

R404A/R507

### Cooling capacity [kW]

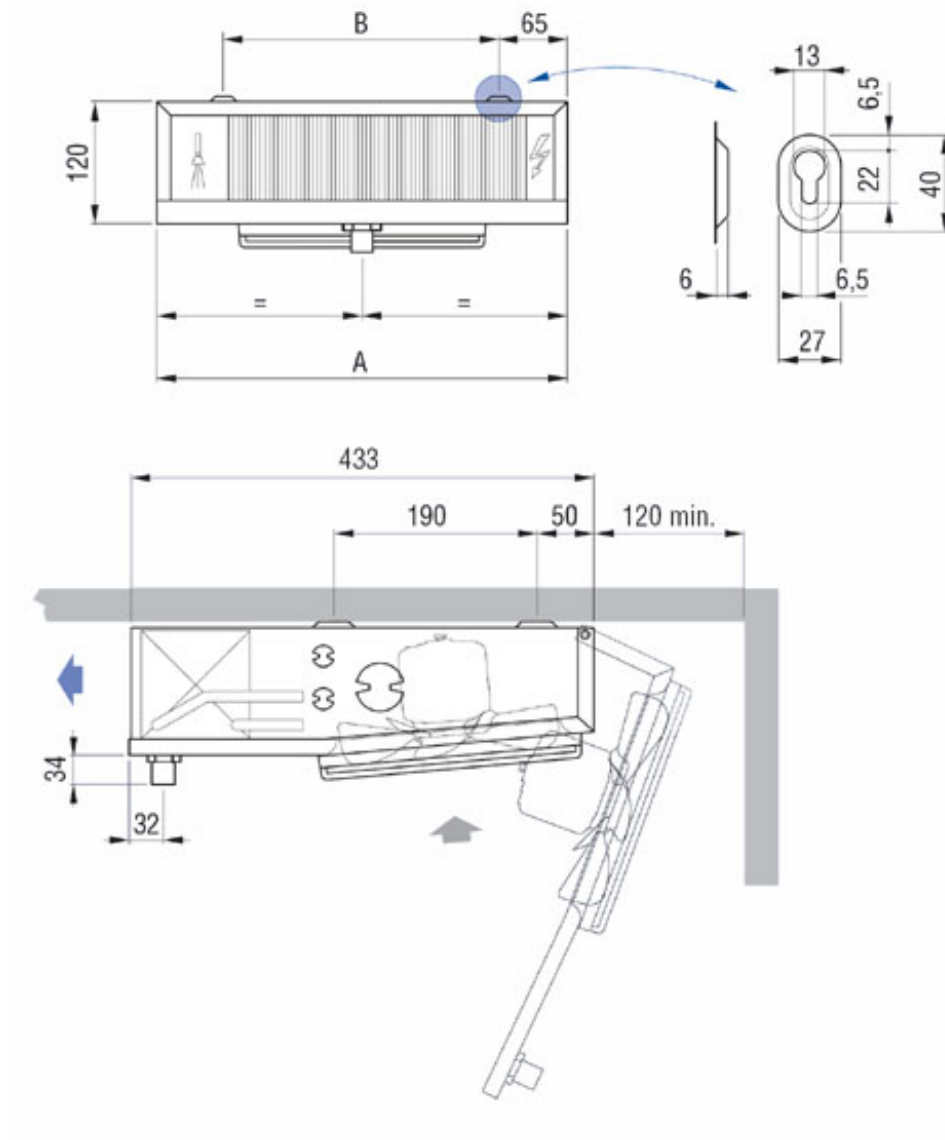
TD \ t <sub>a</sub>	-12	-5	0	5	10	12
5	0.75	0.78	0.80	0.94	0.94	0.94
6	0.90	0.94	0.96	1.13	1.13	1.13
7	1.06	1.09	1.12	1.31	1.31	1.31
8	1.21	1.25	1.28	1.50	1.50	1.50
9	1.36	1.41	1.44	1.69	1.69	1.69
10	1.51	1.56	1.60	1.88	1.88	1.88
11	1.66	1.72	1.76	2.07	2.07	2.07
12	1.81	1.87	1.92	2.25	2.25	2.25
13	1.96	2.03	2.08	2.44	2.44	2.44
14	2.11	2.19	2.24	2.63	2.63	2.63
15	2.26	2.34	2.40	2.82	2.82	2.82

t<sub>a</sub> - Room temperature [°C]

TD - Difference between evaporating and room temperature [K]

# Model: EVS 180

## Dimensions



A 1111 mm  
B 971 mm

# Model: EVS 180

Image

---

